

Right Angle Phono Plug 3502RA Series

Specifications

Electrical

- Contact Resistance (typical *D.O.M.J.): <0.20 ohms
- Dielectric Withstand Voltage: 500VAC (minimum)
- Insulation Resistance @ 500VDC: 2,000 megohms (minimum)
- Insulation Resistance (after MIL-STD-202 Salt Spray):
1,000 megohms (minimum)
- Working Voltage: 250VAC, 140VDC
- Current Carry @ Working Voltage (typical *D.O.M.J.):
6.0 Amps

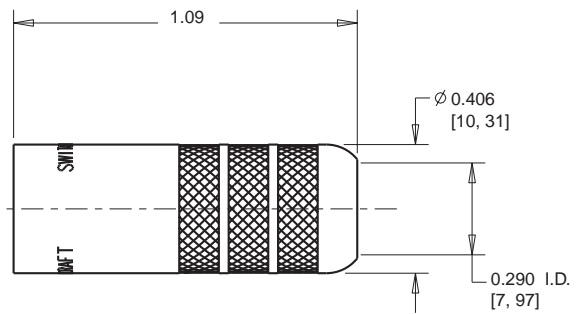
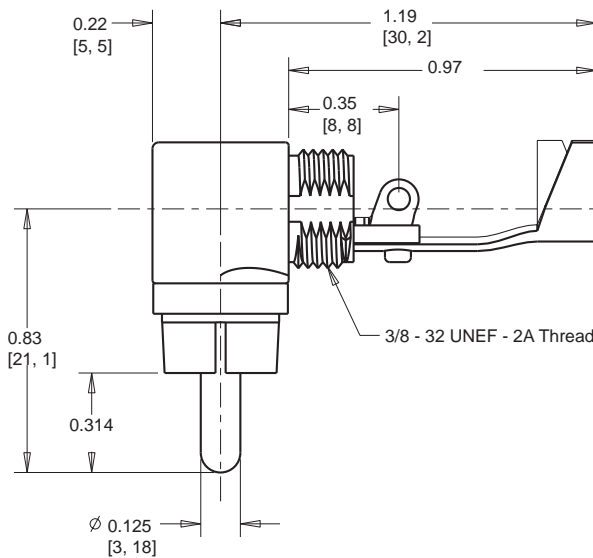
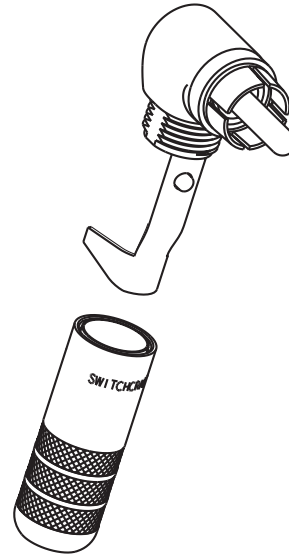
Mechanical

- Insert/Withdrawal Force: *D.O.M.J.
- Temperature Range: -40°C to +85°C
- U.L. Component Recognition File No.: E118169
- Life: *D.O.M.J.
- Maximum Cable Size: .285" diameter

*D.O.M.J. - Dependent On Mating Jack

Material

- Pin: Copper alloy, nickel-plated or gold-plated
- Sleeve: Copper alloy, nickel-plated or gold-plated
- Handle: Copper alloy, nickel-plated or black epoxy finished
- Cable Clamp: C.R.S., electrotin-plated
- Insulator: Rigid plastic



Dimensions are for Reference Only Inch (mm)

